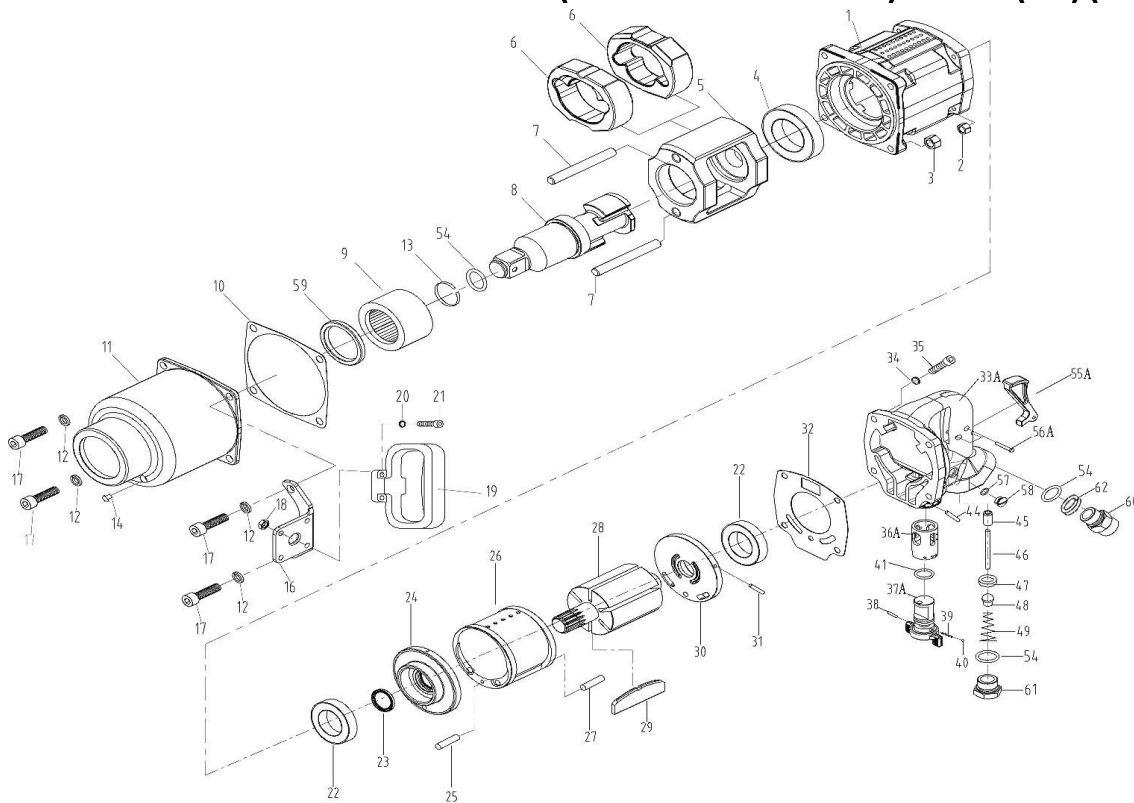


C4224(-6)(-8)

1" DR. AIR IMPACT WRENCH (TWIN HAMMER) W/2"(6")(8") ANVIL



PARTS LIST

| No. | Parts No. | Description | Q'ty |
|-----|-----------|-----------------------------------|------|
| 1 | c4224-01 | Cylinder Houshing | 1 |
| 2 | c4224-02 | Nut | 4 |
| 3 | c4224-03 | Nut | 4 |
| 4 | c4224-04 | Bearing | 1 |
| 5 | c4224-05 | Hammer Cage | 1 |
| 6 | c4224-06 | Hammer Dog | 2 |
| 7 | c4224-07 | Hammer Pin | 2 |
| 8 | c4224-08A | 2" Ext. 1" Dr. Anvil | 1 |
| | c4224-08B | 6" Ext. 1" Dr. Anvil | 1 |
| | c4224-08C | 8" Ext. 1" Dr. Anvil | 1 |
| 9 | c4224-09 | Anvil Bushing | 1 |
| 10 | c4224-10 | Gasket | 1 |
| 11 | c4224-11 | Cylinder Houshing Assy [Incl. 14] | 1 |
| 12 | c4224-12 | Washer | 4 |
| 13 | c4224-13 | Retainer Ring | 1 |
| 16 | c4224-16 | Clamper | 1 |
| 17 | c4224-17 | Screw | 4 |
| 18 | c4224-18 | Nut | 4 |
| 19 | c4224-19 | Handle | 1 |
| 20 | c4224-20 | Washer | 4 |
| 21 | c4224-21 | Screw | 4 |
| 22 | c4224-22 | Bearing | 2 |
| 23 | c4224-23 | Oil Seal | 1 |
| 24 | c4224-24 | Front Plate | 1 |
| 25 | c4224-25 | Set Pin | 1 |
| 26 | c4224-26 | Cylinder | 1 |
| 27 | c4224-27 | Set Pin | 1 |

| No. | Parts No. | Description | Q'ty |
|-----|-----------|---------------------------------|------|
| 28 | c4224-28 | Rotor | 1 |
| 29 | c4224-29 | Rotor Blade | 6 |
| 30 | c4224-30 | Rear Plate | 1 |
| 31 | c4224-31 | Set Pin | 1 |
| 32 | c4224-32 | Gasket | 1 |
| 33A | c4224-33A | Rear Cover Assy [Incl. 36A, 45] | 1 |
| 34 | c4224-34 | Washer | 4 |
| 35 | c4224-35 | Screw | 4 |
| 37A | c4224-37A | Switch | 1 |
| 38 | c4224-38 | Set Pin | 1 |
| 39 | c4224-39 | Spring | 1 |
| 40 | c4224-40 | Steel Ball | 1 |
| 41 | c4224-41 | O-Ring | 1 |
| 44 | c4224-44 | Set Pin | 1 |
| 46 | c4224-46 | Set Pin | 1 |
| 47 | c4224-47 | Oil Seal | 1 |
| 48 | c4224-48 | Plug | 1 |
| 49 | c4224-49 | Spring | 1 |
| 54 | c4224-54 | O-Ring | 3 |
| 55A | c4224-55A | Trigger | 1 |
| 56A | c4224-56A | Screw | 2 |
| 57 | c4224-57 | O-Ring | 1 |
| 58 | c4224-58 | Valve Plug | 1 |
| 59 | c4224-59 | Oil Seal | 1 |
| 60 | c4224-60 | Air Inlet | 1 |
| 61 | c4224-61 | Screw | 1 |
| 62 | c4224-62 | Washer | 1 |